

Floodlights

# Q2



CLASSE I (Classe II su richiesta)

Supply

External driver (also in versions dimmable or DALI)  
 Input voltage 220 - 240V AC 50/60Hz.  
 Temperature -40° +45°

Installation

Wall and ceiling

Applications

Commercial areas, industrial areas, warehouse, production areas, sport facilities, etc...

Size (mm)

446 x 251 x 110

Colour

Dark grey RAL 7015

Decay of the luminous flux

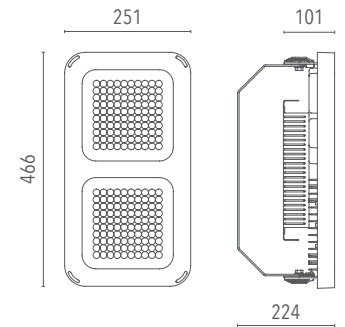
≥100.000 hr L85B15

MATERIALS

- Body:** Die cast aluminium alloy UNI EN 46100.  
Protection against the corrosion with epoxy primer + polyester painting resistant to salty mist
- Bracket:** Galvanized iron and goniometer with anti-rotation lock (optional painted RAL7015)
- Cable gland:** In metal
- Colour:** Grey RAL7015
- Lenses:** Optic PC
- Screen:** Tempered extra clear 5 mm glass, resistant to thermal shocks and impacts.
- External screws:** Stainless steel AISI 304

TENDER SPECIFICATIONS

LED floodlight with body in die-cast aluminium in UNI EN 46100 alloy. First layer in epoxy primer + painting with polyester powder resistant to the saline mist, stabilized to UV rays, UV Class I. Equipped with a bracket in galvanized iron with goniometer and anti-rotation. Screws in stainless steel AISI 304. Extra clear tempered glass, sodium-calcium type 5 mm, resistant to thermal shocks and impacts, guaranteed transparency 93%. Silicone gaskets. External driver On/Off, with the voltage 220-240 Vac 50/60 Hz. Versions available on request: Dimmer 1-10V or 0-10V, DALI, DALI2, D4i. Optical group 200 LED size 3030. Colour rendering index CRI80 (available upon request CRI 70, CRI90). Colour temperature 4000K (available upon request: 2700K, 3000K, 5000K, 5700K). MacAdam ellipses (Standard Deviation Colour Matching): 3. Protected against mechanical impacts IK08, ROHS approval, IP66, CE conformity, lighting fitting in CL I (available upon request in CL II). High quality European Mark ENEC. Group of photobiological risk: RG0 (lighting fittings not presenting photobiological risks according to the Norm EN62471. Require from the manufacturer the distance from the observation point, if necessary). Luminous efficiency LED 171 l/W Ta=25°C. Working temperature: - 40°C + 45°C. Optical group lifetime: ≥100.000 hr L85B15. Warranty: 5 years.



Exposed surface

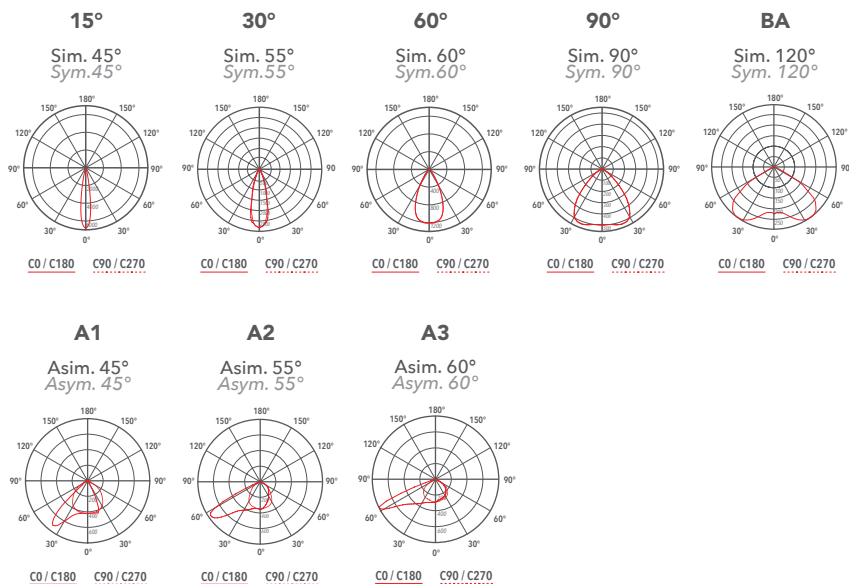
Front surface 0.117 m2  
 Lateral surface 0.048m2

Lanzini indica sui cataloghi il flusso luminoso uscente dell'apparecchio con una tolleranza ±10% rispetto al valore indicato. I W totali indicano la potenza totale assorbita dal sistema LED + alimentatore che non superi il 10% del valore indicato.

Optical group

PCBA 200 LED size 3030  
 CRI ≥ 80, available CRI70, CRI90  
 4000K, available 2700K, 3000K, 5000K  
 MacAdam ellipses (Standard Deviation Colour Matching): 3  
 Lighting efficiency LED: 171 l/W Ta=25°C  
 Also available in RGB/W version

Photometric curves



Code	Source	Power	Lm (Output)	Lm (Tc=25°)	Temperature	CRI	Beams	Colour	Control
L00Q24015BL40150	LED	150 W	22118 lm	25650 lm	4000 K	>80	15°	Dark grey	-
L00Q24015DI40150	LED	150 W	22118 lm	25650 lm	4000 K	>80	15°	Dark grey	Dimmer
L00Q24015DA40150	LED	150 W	22118 lm	25650 lm	4000 K	>80	15°	Dark grey	DALI
L00Q24015BL40200	LED	200 W	27894 lm	34200 lm	4000 K	>80	15°	Dark grey	-
L00Q24015DI40200	LED	200 W	27894 lm	34200 lm	4000 K	>80	15°	Dark grey	Dimmer
L00Q24015DA40200	LED	200 W	27894 lm	34200 lm	4000 K	>80	15°	Dark grey	DALI
L00Q24030BL40150	LED	150 W	21685 lm	25650 lm	4000 K	>80	30°	Dark grey	-
L00Q24030DA40150	LED	150 W	21685 lm	25650 lm	4000 K	>80	30°	Dark grey	Dimmer
L00Q24030DI40150	LED	150 W	21685 lm	25650 lm	4000 K	>80	30°	Dark grey	DALI
L00Q24030BL40200	LED	200 W	27406 lm	34200 lm	4000 K	>80	30°	Dark grey	-
L00Q24030DA40200	LED	200 W	27406 lm	34200 lm	4000 K	>80	30°	Dark grey	Dimmer
L00Q24030DI40200	LED	200 W	27406 lm	34200 lm	4000 K	>80	30°	Dark grey	DALI
L00Q24060BL40150	LED	150 W	21359 lm	25650 lm	4000 K	>80	60°	Dark grey	-
L00Q24060DA40150	LED	150 W	21359 lm	25650 lm	4000 K	>80	60°	Dark grey	Dimmer
L00Q24060DI40150	LED	150 W	21359 lm	25650 lm	4000 K	>80	60°	Dark grey	DALI
L00Q24060BL40200	LED	200 W	27052 lm	34200 lm	4000 K	>80	60°	Dark grey	-
L00Q24060DA40200	LED	200 W	27052 lm	34200 lm	4000 K	>80	60°	Dark grey	Dimmer
L00Q24060DI40200	LED	200 W	27052 lm	34200 lm	4000 K	>80	60°	Dark grey	DALI

Lanzini indica sui cataloghi il flusso luminoso uscente dell'apparecchio con una tolleranza ±10% rispetto al valore indicato. I W totali indicano la potenza totale assorbita dal sistema LED + alimentatore che non superi il 10% del valore indicato.

<b>L00Q24090BL40150</b>	LED	150 W	21101 lm	25650 lm	4000 K	>80	90°	Dark grey	-
<b>L00Q24090DA40150</b>	LED	150 W	21101 lm	25650 lm	4000 K	>80	90°	Dark grey	Dimmer
<b>L00Q24090DI40150</b>	LED	150 W	21101 lm	25650 lm	4000 K	>80	90°	Dark grey	DALI
<b>L00Q24090BL40200</b>	LED	200 W	26840 lm	34200 lm	4000 K	>80	90°	Dark grey	-
<b>L00Q24090DA40200</b>	LED	200 W	26840 lm	34200 lm	4000 K	>80	90°	Dark grey	Dimmer
<b>L00Q24090DI40200</b>	LED	200 W	26840 lm	34200 lm	4000 K	>80	90°	Dark grey	DALI
<b>L00Q240BABL40150</b>	LED	150 W	20209 lm	25650 lm	4000 K	>80	BA	Dark grey	-
<b>L00Q240BADA40150</b>	LED	150 W	20209 lm	25650 lm	4000 K	>80	BA	Dark grey	Dimmer
<b>L00Q240BADI40150</b>	LED	150 W	20209 lm	25650 lm	4000 K	>80	BA	Dark grey	DALI
<b>L00Q240BABL40200</b>	LED	200 W	25682 lm	34200 lm	4000 K	>80	BA	Dark grey	-
<b>L00Q240BADA40200</b>	LED	200 W	25682 lm	34200 lm	4000 K	>80	BA	Dark grey	Dimmer
<b>L00Q240BADI40200</b>	LED	200 W	25682 lm	34200 lm	4000 K	>80	BA	Dark grey	DALI
<b>L00Q240A1BL40150</b>	LED	150 W	20564 lm	25650 lm	4000 K	>80	A1	Dark grey	-
<b>L00Q240A1DA40150</b>	LED	150 W	20564 lm	25650 lm	4000 K	>80	A1	Dark grey	Dimmer
<b>L00Q240A1DI40150</b>	LED	150 W	20564 lm	25650 lm	4000 K	>80	A1	Dark grey	DALI
<b>L00Q240A1BL40200</b>	LED	200 W	25950 lm	34200 lm	4000 K	>80	A1	Dark grey	-
<b>L00Q240A1DA40200</b>	LED	200 W	25950 lm	34200 lm	4000 K	>80	A1	Dark grey	Dimmer
<b>L00Q240A1DI40200</b>	LED	200 W	25950 lm	34200 lm	4000 K	>80	A1	Dark grey	DALI
<b>L00Q240A2BL40150</b>	LED	150 W	20353 lm	25650 lm	4000 K	>80	A2	Dark grey	-
<b>L00Q240A2DA40150</b>	LED	150 W	20353 lm	25650 lm	4000 K	>80	A2	Dark grey	Dimmer
<b>L00Q240A2DI40150</b>	LED	150 W	20353 lm	25650 lm	4000 K	>80	A2	Dark grey	DALI
<b>L00Q240A2BL40200</b>	LED	200 W	25562 lm	34200 lm	4000 K	>80	A2	Dark grey	-
<b>L00Q240A2DA40200</b>	LED	200 W	25562 lm	34200 lm	4000 K	>80	A2	Dark grey	Dimmer
<b>L00Q240A2DI40200</b>	LED	200 W	25562 lm	34200 lm	4000 K	>80	A2	Dark grey	DALI
<b>L00Q240A3BL40150</b>	LED	150 W	20134 lm	25650 lm	4000 K	>80	A3	Dark grey	-
<b>L00Q240A3DA40150</b>	LED	150 W	20134 lm	25650 lm	4000 K	>80	A3	Dark grey	Dimmer
<b>L00Q240A3DI40150</b>	LED	150 W	20134 lm	25650 lm	4000 K	>80	A3	Dark grey	DALI
<b>L00Q240A3BL40200</b>	LED	200 W	25360 lm	34200 lm	4000 K	>80	A3	Dark grey	-
<b>L00Q240A3DA40200</b>	LED	200 W	25360 lm	34200 lm	4000 K	>80	A3	Dark grey	Dimmer
<b>L00Q240A3DI40200</b>	LED	200 W	25360 lm	34200 lm	4000 K	>80	A3	Dark grey	DALI

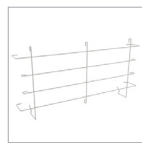
## Accessories



Fast connector  
IP 2 poles  
LKITA00000000017  
IP 3 poles  
LKITA00000000003



Laser pointer  
support kit  
LKITA00000000093



Grid kit  
IK10 protection  
LKITA00000000039



Universal pole head  
connection  
LKITA00000040109



kit staffa planare  
ferro zincato  
LKITA00000000043  
Inox  
LKITA00000000044



Kit staffa 90°  
LKITA00000000020



kit applicazione a  
sospensione  
LKITA00000000004



Kit assemblaggio  
moduli  
LKITA00000000005

Lanzini indica sui cataloghi il flusso luminoso uscente dell'apparecchio con una tolleranza  $\pm 10\%$  rispetto al valore indicato. I W totali indicano la potenza totale assorbita dal sistema LED + alimentatore che non superi il 10% del valore indicato.